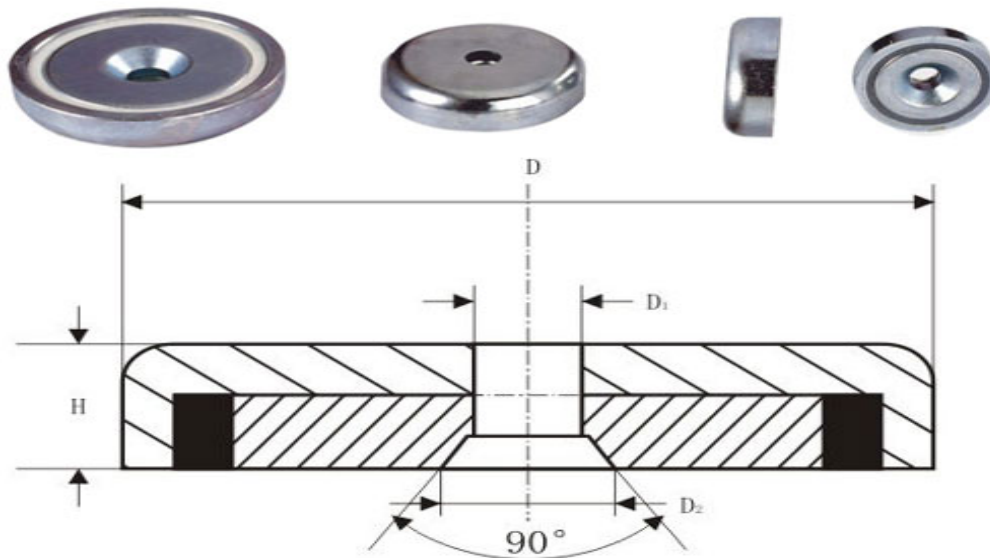


RARE EARTH – NEODYMIUM POT MAGNET SPECIFICATIONS

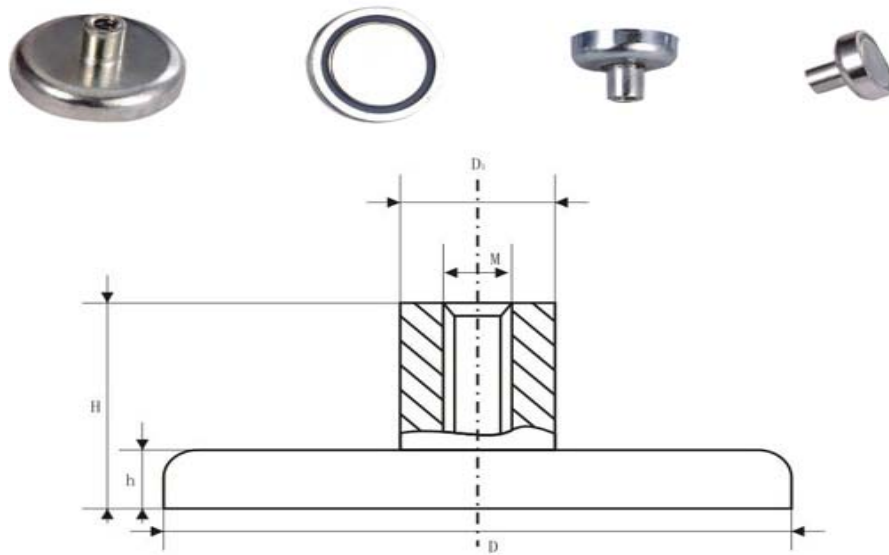
Countersunk hole



Model No.	D \varnothing	D $_{1\varnothing}$	D $_{2\varnothing}$	H	Holding force (kg)	Weight (g)
AMF-yp-A16	16	3.5	6.5	5	5	7
AMF-yp-A20	20	4.5	8.5	7	6	13
AMF-yp-A25	25	5.5	10.4	8	14	23
AMF-yp-A32	32	5.5	10.4	8	25	39
AMF-yp-A36	36	6.5	12	9	29	52
AMF-yp-A42	42	6.5	12	9	37	76
AMF-yp-A48	48	8.5	16	11.5	68	120
AMF-yp-A60	60	8.5	16	15	112	252
AMF-yp-A75	75	10.5	19	18	162	488

RARE EARTH – NEODYMIUM POT MAGNET SPECIFICATIONS

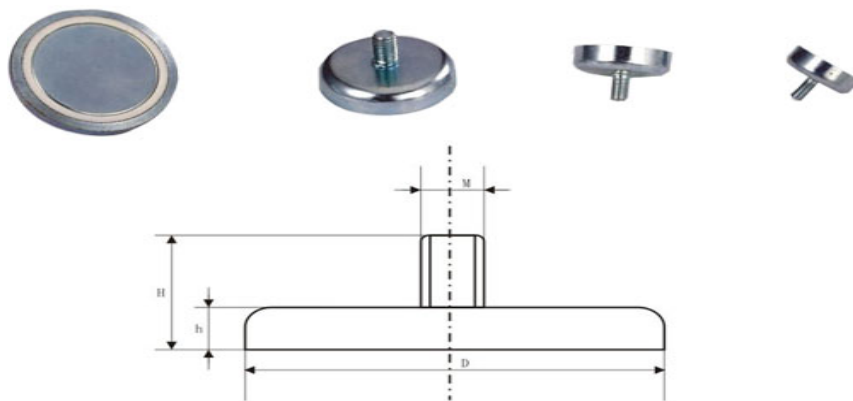
Female Thread



Model No.	Dø	D1ø	M	H	H	Holding force (kg)	Weight (g)
AMF-yp-D10	10	5.5	3	12	5	2.2	3.5
AMF-yp-D12	12	6	3	13	5	3.2	5
AMF-yp-D16	16	6	4	13	5	5.5	8
AMF-yp-D20	20	8	4	15	7	9	17
AMF-yp-D25	25	10	5	17	8	22	32
AMF-yp-D32	32	10	6	18	8	34	47
AMF-yp-D36	36	10	6	18	8	41	59
AMF-yp-D42	42	12	6	20	9	68	87
AMF-yp-D48	48	12	8	24	11.5	81	132
AMF-yp-D60	60	14	8	30	15	113	270
AMF-yp-D75	75	16	10	34	18	164	552

RARE EARTH – NEODYMIUM POT MAGNET SPECIFICATIONS

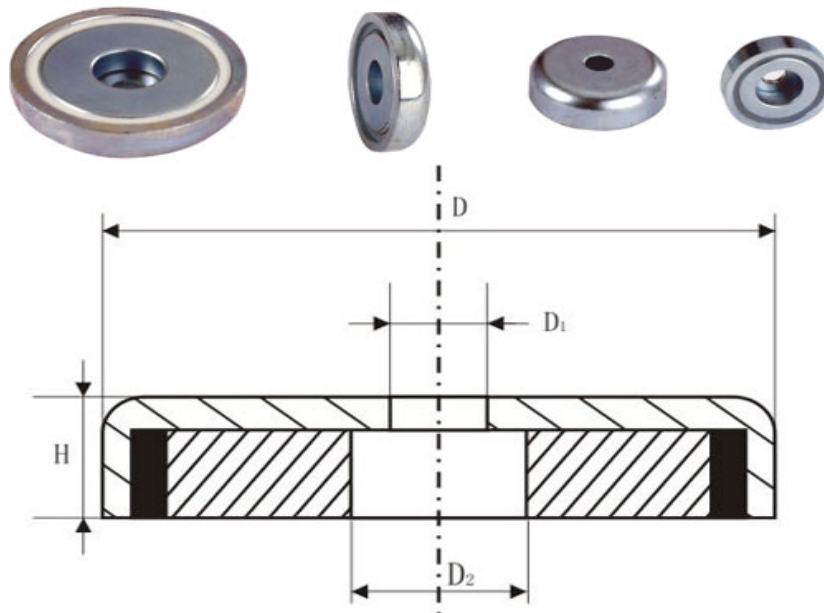
Male Thread



Model No.	Dø	M	H	H	Holding force (kg)	Weight (g)
AMF-yp-C10	10	3	12	5	2.2	3.5
AMF-yp-C12	12	3	13	5	3.2	5
AMF-yp-C16	16	4	13	5	5.5	7.5
AMF-yp-C20	20	4	15	7	9	16
AMF-yp-C25	25	5	17	8	22	30
AMF-yp-C32	32	6	18	8	34	45
AMF-yp-C36	36	6	18	8	41	57
AMF-yp-C42	42	8	20	9	68	84
AMF-yp-C48	48	8	24	11.5	81	130
AMF-yp-C60	60	8	30	15	113	254
AMF-yp-C75	75	10	34	15	164	550

RARE EARTH – NEODYMIUM POT MAGNET SPECIFICATIONS

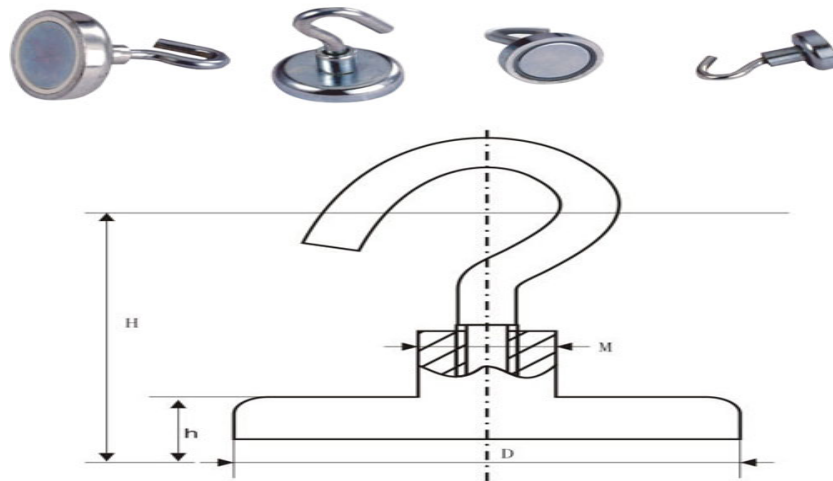
Round hole



Model No.	D \varnothing	D $1\varnothing$	D $2\varnothing$	H	Holding force (kg)	Weight (g)
AMF-yp-B16	16	3.5	6.5	5	4	6
AMF-yp-B20	20	4.5	8	7	6	12
AMF-yp-B25	25	5.5	9	8	14	23
AMF-yp-B32	32	5.5	9	8	23	36
AMF-yp-B36	36	6.5	11	9	29	50
AMF-yp-B42	42	6.5	11	9	32	73
AMF-yp-B48	48	8.5	15	11.5	63	114
AMF-yp-B60	60	8.5	15	15	95	240
AMF-yp-B75	75	10.5	18	18	155	471

RARE EARTH – NEODYMIUM POT MAGNET SPECIFICATIONS

Threaded Hook



Model No.	D	M	H	H	Holding force (kg)	Weight (g)
AMF-yp-E16	16	4	14	5	5.5	11
AMF-yp-E20	20	4	14	7	9	21
AMF-yp-E25	25	5	15	8	22	37
AMF-yp-E32	32	6	16	8	34	56
AMF-yp-E36	36	6	16	8	41	68
AMF-yp-E42	42	6	16	9	68	97
AMF-yp-E48	48	8	23	11.5	81	154
AMF-yp-E60	60	8	23	15	113	282
AMF-yp-E75	75	10	25	18	164	560