

GPM9

Peak Torque **130 Ncm**
 Cont. Torque **13 Ncm**
 Cont. Power **41 Watts**
 Speed **<1 to 6000 rpm**

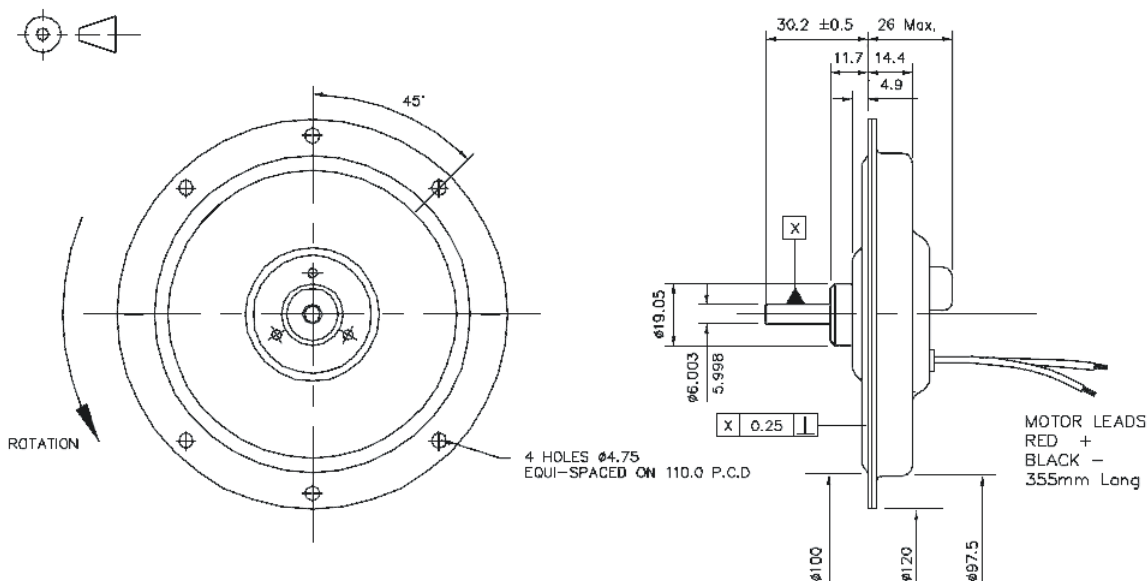
The Printed Motor Works GPM9 is a totally enclosed dc motor in an ultra slim pancake profile. This pancake motor can provide a cost effective servo capability. Using flat armature technology the motor is ideal for general purpose applications.



GPM9

| Motor Constants | Symbol | Unit | Value |
|---------------------|--------|-------------|-------|
| Voltage | Ke | V/krpm | 2.3 |
| Torque | Kt | Ncm/Amp | 2.2 |
| Damping | Kd | Ncm/1000rpm | 0.30 |
| Friction | Tf | Ncm | 1.2 |
| Terminal Resistance | I | Ohm | 1.1 |

| Motor Ratings | Unit | Value |
|---------------|-------|-------|
| Voltage | Volts | 14.5 |
| Current | Amps | 6.9 |
| Torque | Ncm | 13.1 |
| Speed | RPM | 3000 |
| Power | Watts | 41 |



Sample design modifications

Shaft

- Round shaft
- Extra flats
- Length variants
- Cut gear
- Other modifications

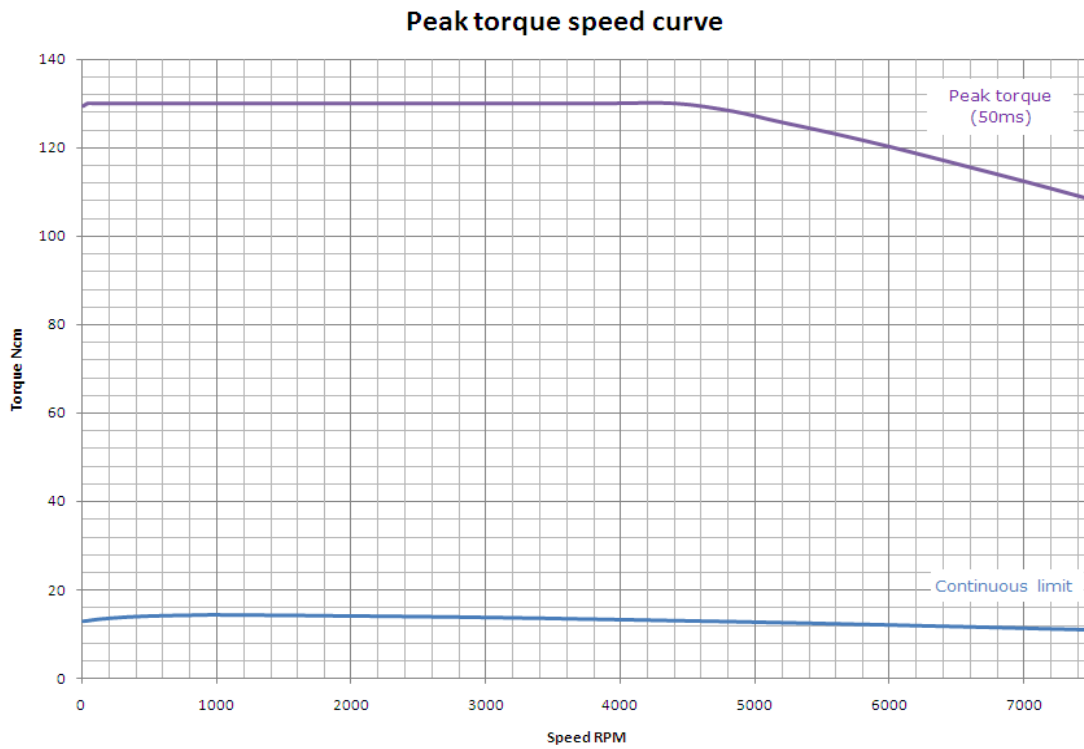
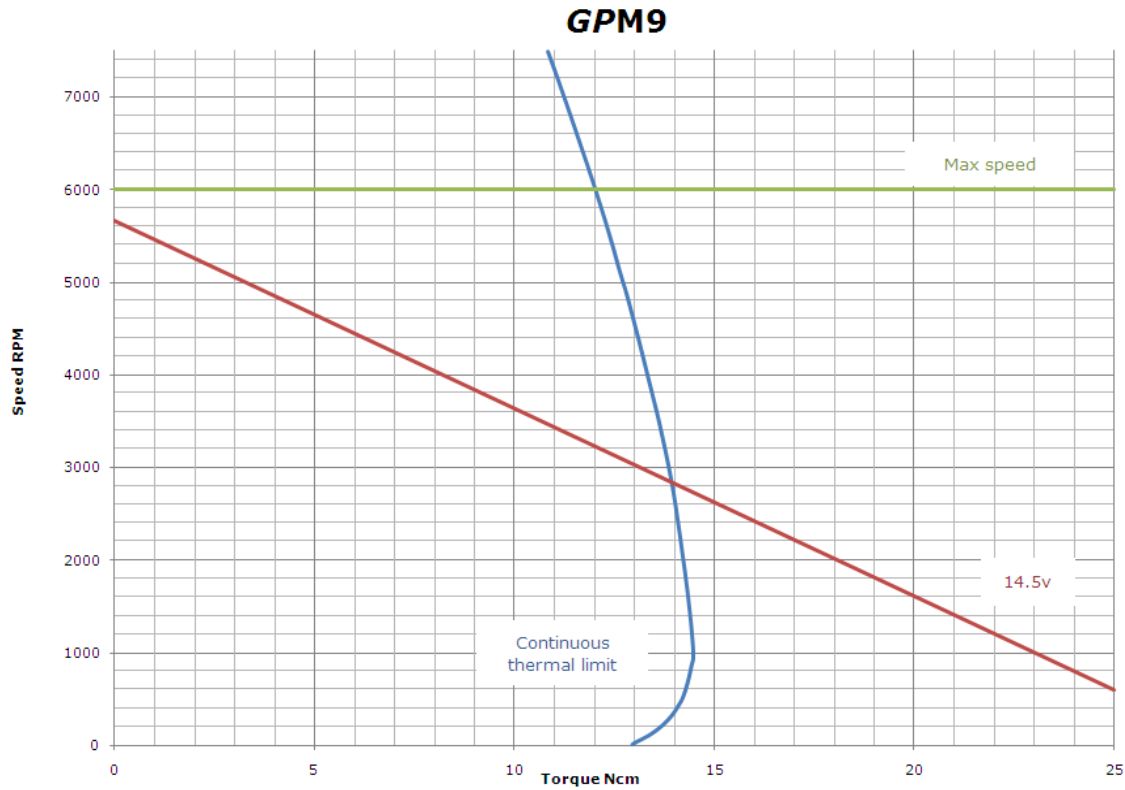
Brushes

- Long life for continuous duty applications
- Low resistance brushes for servo applications
- High altitude
- Vacuum

Extra

- EMC suppression
- Long leads
- Connectors
- Tri-rated cable
- Rated for operation in 150°C ambient





NOTE: The angle of the Torque/Speed curve remains the same for higher and lower voltages. The speed varies proportionally from zero rpm relative to the voltage supplied. The stated voltage is an example, not a predefined maximum or minimum. Due to ongoing product improvement data in this datasheet maybe subject to change without notice.