

GPG Series



Peak Torque **17 Nm to 1134 Nm**
 Cont. Torque **49 to 255 Ncm**
 Ratios **10:1 to 206:1**
 Speed **<0.1 to 500 rpm**

The Printed Motor Works GPG series offers a wide range of gear reduction ratios for the GP12 motors. Offering high torque in a compact axial package, each unit has foot mounting capability and comes with a combination of bevel and planetary gears to reduce the speed and efficiently increase the torque of the 12cm pancake motor. Each unit comes with gearbox and motor fully assembled.



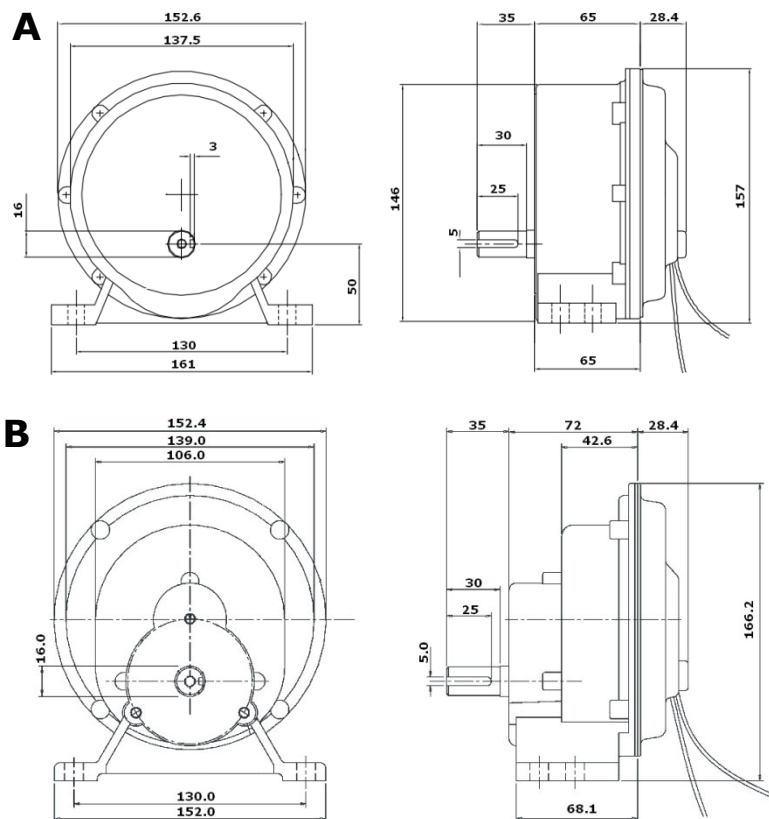
GPG Series

Gear Ratio (value : 1)		206	120	80	60	40	25	12	10
GPGM12	Continuous (Nm)	71	41	28	21	14	9	4	3
	Instantaneous (Nm)	531	310	206	155	103	65	31	26
	Speed (RPM) @ 24v	15	25	38	50	75	120	250	300
	Speed (RPM) @ 12v	7	13	19	25	38	60	125	150
GPGN12	Continuous (Nm)	133	77	52	39	26	16	8	6
	Instantaneous (Nm)	1134	660	440	330	220	138	66	55
	Speed (RPM) @ 24v	10	17	25	33	50	80	167	200
	Speed (RPM) @ 12v	5	8	13	17	25	40	83	100
GPGM12LR	Continuous (Nm)	35	21	14	10	7	4	2	2
	Instantaneous (Nm)	354	206	138	103	69	43	21	17
	Speed (RPM) @ 24v	24	42	63	83	125	200	417	500
	Speed (RPM) @ 12v	12	21	31	42	63	100	208	250
GPGN12LR	Continuous (Nm)	87	51	34	25	17	11	5	4
	Instantaneous (Nm)	868	506	337	253	169	105	51	42
	Speed (RPM) @ 24v	17	30	45	60	90	144	300	360
	Speed (RPM) @ 12v	9	15	23	30	45	72	150	180

Design A	12:1, 40:1, 60:1, 80:1, 120:1, 206:1
Design B	10:1, 25:1

General benefits

- Low cost
- High peak torque output
- Low inertia
- Rapid acceleration
- Slim profile
- High instantaneous torque
- Long brush life
- Controllable with PMA and PMC drives
- Foot mounting
- Apply varied voltages for different speed outputs
- Design options with special shaft and additional encoder options available



+44 (0) 1420 594 140
 sales@printedmotorworks.com



Printed Motor Works

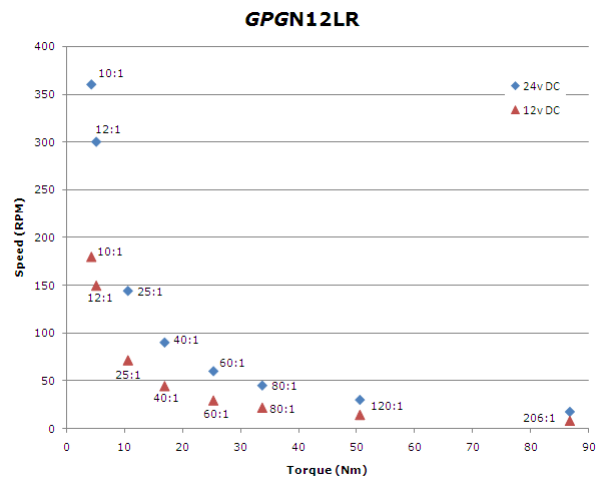
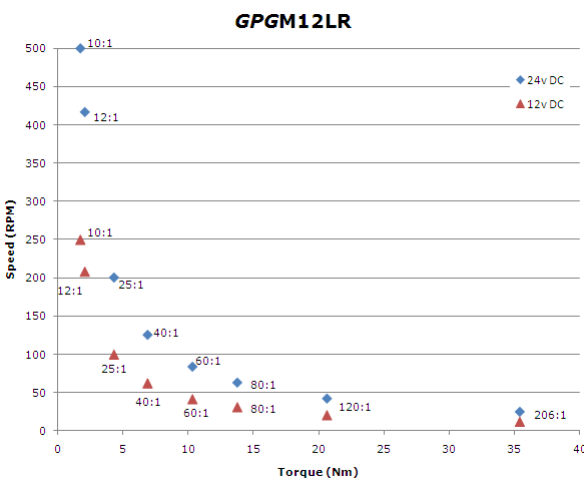
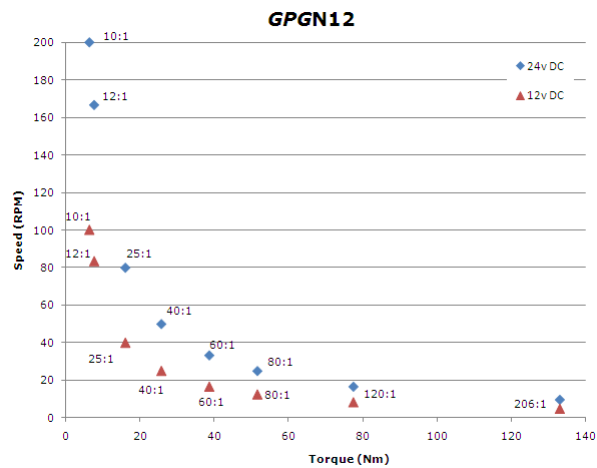
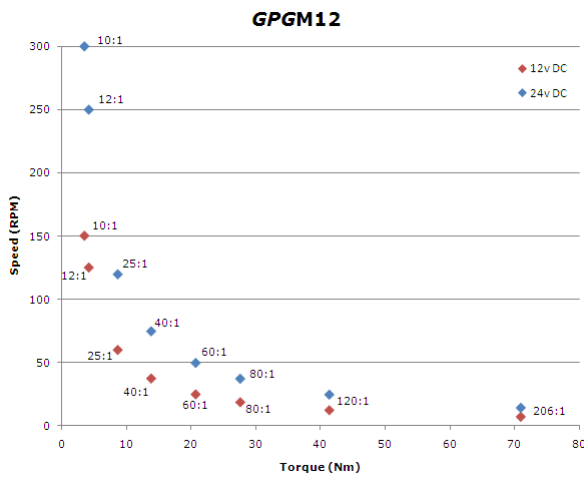
Newman Lane, Alton
 Hampshire GU34 2QW, UK

GPG Series



GPG Series

Product Quick Select



Ratio	Drive train details	Backlash(degrees)	Arc mins
206:1	Steel Gear	0.24±0.05°	15.0
120:1	Steel Gear	0.49±0.05°	29.4
80:1	Steel Gear	0.11±0.05°	6.6
60:1	Steel Gear	0.91±0.05°	54.6
40:1	Steel Gear	0.45±0.05°	27.0
25:1	Steel Gear(Planetary)	0.46±0.05°	27.6
12:1	MC Nylon Gear	0.12±0.05°	7.2
10:1	MC Nylon Gear(Planetary)	0.46±0.05°	27.6

Sample applications

Scientific

Biomedical analysis
 Inspection systems
 X-Y tables
 Wheel drive

Industrial

Automatic doors
 General automation
 Advertising
 Weld wire feed

Military

Elevation adjustment
 Turret drive
 Door opener
 Wheel drive



+44 (0) 1420 594 140
 sales@printedmotorworks.com



Printed Motor Works

Newman Lane, Alton
 Hampshire GU34 2QW, UK